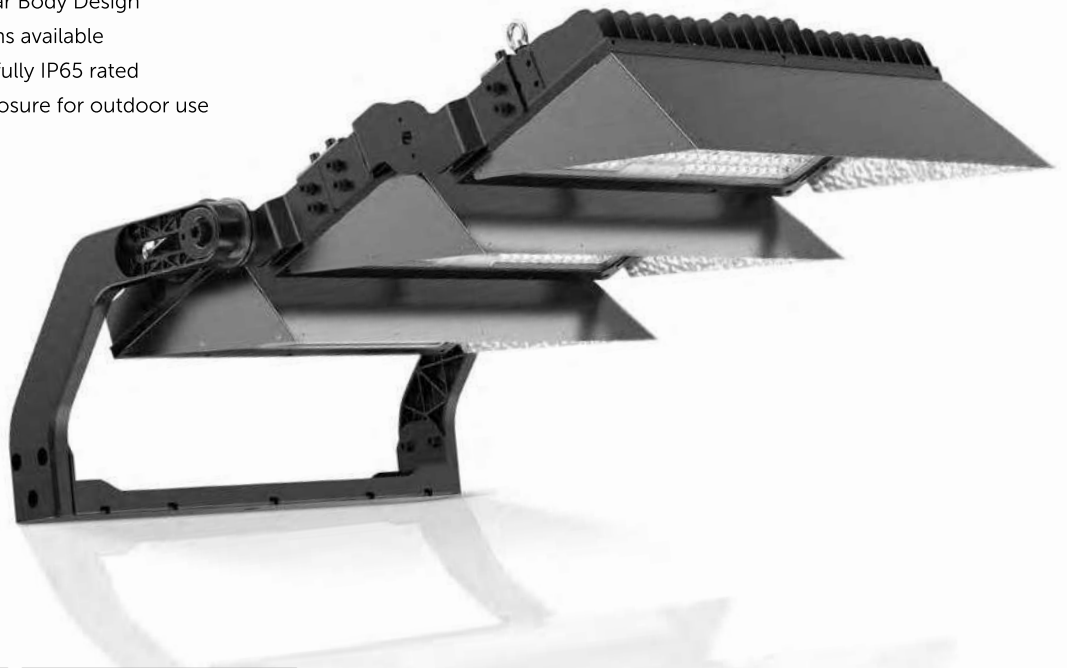


## Skyline Powertron Asymmetric LED Floodlight

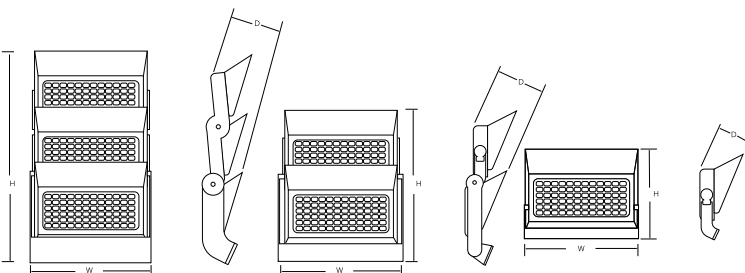
- Optional ULR Shields available for 0% upward light, glare and obstructive light reduction
- 1200W & 1800W suitable for 415V dual phase installation, 600W available on request
- Remote driver gear tray, can be mounted on ground level for easy maintenance
- Genuine replacement for 1000W/2000W Metal Halide Floodlights
- Black powder coated C5-H Marine Grade, suitable for coastal areas & harsh environments
- Scope available on request for fine on site aiming
- Suitable for multiple row column installations
- Full cut-off horizontal asymmetric floodlight
- Fully adjustable angled mounting bracket
- Ideal for external sports lighting facilities
- 600/1200/1800W Modular Body Design
- CASAMBI & DALI-2 options available
- 1200W & 1800W Drivers fully IP65 rated
- 600W Requires IP65 enclosure for outdoor use

CASAMBI



600W $\equiv$ 1000 W Energy Saving 40% MH	1200W $\equiv$ 2000 W Energy Saving 40% MH	Quality Assured Product Warranty <sup>2</sup> <b>10 Year</b>	On site Warranty <sup>2</sup> <b>2 Year</b>	Colour Rendering Index <sup>2</sup> <b>70</b>	Lumens Maintenance Ratio <sup>2</sup> <b>L80 B10</b>	Water & Dust Protected <b>IP66</b>	Surge Protected <b>10,000V</b>	Impact Rating <b>IK08</b>	Operating Hours <b>100,000</b>
---	--	---	--	--	---	---------------------------------------	-----------------------------------	------------------------------	-----------------------------------

Technical Specification	
Construction	Powder coated die-cast aluminium (RAL 9017)
Driver	1200 & 1800W BELL IP65 600W UPowerTek needs to be mounted in an IP65 location
LED Chip	OSRAM 3737
Input Voltage	200-240VAC
Power Factor	>0.9
Operating Temp	-20°C to +35°C
Standard	CE & UKCA



Dimensions include optional Deep ULR Shields

technical@belllighting.co.uk  
sales@belllighting.co.uk

### 10 Year Gold Warranty

Code	W	Description	Lm (up to)	Temp	Lm/W (up to)	Weight Remote/Inc Driver	Windage	WxHxD (mm)
11330V2	600	Floodlight NAB	94212	4200K	157			
11829V2	600	Floodlight MAB	92589	4200K	154	8.9 Kg / 13.2 Kg (Excluding visor)	0.08 m <sup>2</sup> @ 0°	605x474x172
11830V2	600	Floodlight WAB	92820	4200K	155		0.12m <sup>2</sup> @ 15°	
70227V2	600	Floodlight SAB	89574	4200K	149		0.15m <sup>2</sup> @ 30°	
11331V2	1200	Floodlight NAB	188660	4200K	157	22.5 Kg / 27.9 Kg (Excluding visor)	0.10m <sup>2</sup> @ 0°	655x810x400
11831V2	1200	Floodlight MAB	186030	4200K	155		0.20m <sup>2</sup> @ 15°	
11832V2	1200	Floodlight WAB	185910	4200K	155		0.27m <sup>2</sup> @ 30°	
70228V2	1200	Floodlight SAB	175570	4200K	146			
11332V2	1800	Floodlight NAB	283330	4200K	157	30.4Kg / 36.3Kg (Excluding visor)	0.12m <sup>2</sup> @ 0°	695x1125x435
11833V2	1800	Floodlight MAB	280450	4200K	156		0.26m <sup>2</sup> @ 15°	
11834V2	1800	Floodlight WAB	280260	4200K	156		0.39m <sup>2</sup> @ 30°	
70229V2	1800	Floodlight SAB	265110	4200K	147			
70223V2	600	Floodlight NAB	94200	5700K	160	8.9 Kg / 13.2 Kg (Excluding visor)	0.08 m <sup>2</sup> @ 0°	605x474x172
70220V2	600	Floodlight MAB	94441	5700K	157		0.12m <sup>2</sup> @ 15°	
70233V2	600	Floodlight WAB	94676	5700K	158		0.15m <sup>2</sup> @ 30°	
70230V2	600	Floodlight SAB	91365	5700K	152			
70224V2	1200	Floodlight NAB	192433	5700K	160	22.5 Kg / 27.9 Kg (Excluding visor)	0.10m <sup>2</sup> @ 0°	655x810x400
70221V2	1200	Floodlight MAB	189751	5700K	158		0.20m <sup>2</sup> @ 15°	
70234V2	1200	Floodlight WAB	189628	5700K	158		0.27m <sup>2</sup> @ 30°	
70231V2	1200	Floodlight SAB	179081	5700K	149			
70225V2	1800	Floodlight NAB	288997	5700K	161	30.4Kg / 36.3Kg (Excluding visor)	0.12m <sup>2</sup> @ 0°	695x1125x435
70222V2	1800	Floodlight MAB	286059	5700K	159		0.26m <sup>2</sup> @ 15°	
70235V2	1800	Floodlight WAB	285865	5700K	159		0.39m <sup>2</sup> @ 30°	
70232V2	1800	Floodlight SAB	270412	5700K	150			
11341	-	Deep Shield for Skyline Powertron				-	-	-
11345	-	Shallow Shield for Skyline Powertron				-	-	-
11828	-	Deep Back Shield for Skyline Powertron				-	-	-
11842	-	Column Mount Driver Box for 600W Skyline Powertron				-	-	-
11847	-	Bracket Mount Driver Box for 600W Skyline Powertron				-	-	-
11820	-	Stirrup Mounting Bracket				-	-	-
70262	-	Magnetic Aiming Scope				-	-	-
70260	-	Bracket for Magnetic Aiming Scope (600W version)				-	-	-
70261	-	Bracket for Magnetic Aiming Scope (1200W/1800W version)				-	-	-

NAB: Narrow Area Beam  
MAB: Medium Area Beam  
WAB: Wide Area Beam  
SAB: Slim Area Beam

## Aldershot Garrison

Aldershot Garrison is often referred to as the "Home of the British Army", a title which showcases the importance of the site. Aldershot Garrison is now home to the headquarters of the Army's Regional Command and Home Command, as well as the Army Special Operations Brigade.

The Rugby Stadium at Aldershot Garrison dates back to the 19th century, with the arena being one of the key assets at the site. The area hosts weekly play at various levels, attracting spectators, friends and family members of those serving at Aldershot Garrison, and even visitors who cover playing activity to provide televised coverage of matches for the army channel.

“

The control of spillage is really good with the product - it's one of the best on the market and there won't be many fittings which could outdo what the product has done on that pitch.

I'm pleased to use it and I will use it a lot more in the future. If there are ever any issues, we know that BELL Lighting are just a phone call away and things are always put right quickly with the support from the team.

Working with BELL, we make a great team.

”

**Kim, Sports Lighting**

## England Rugby

Fully compliant to approved lighting levels standards

technical@belllighting.co.uk  
sales@belllighting.co.uk



## skylinepowertron



- Black powder coated C5-H Marine Grade, suitable for coastal areas & harsh environments
- 600W/1200W/1800W Modular Body Design
- Ideal for external sports lighting facilities

### Case Study: Aldershot Garrison, BELL Powertron

Over the life of the fitting, Aldershot Garrison could save: £63,000 in energy costs, energy saving 45%

- Annual Energy Saving 18,000 kWh
- Annual CO<sub>2</sub> Saving 4,500 kg

## Fr. Rock's GAA, Northern Ireland

Cookstown Fr. Rock's GAC, with its home based at its home grounds, Paddy Cullen Park was established in 1889, is the oldest Gaelic Athletic Association club in County Tyrone and one of the earliest clubs founded following the creation of the Gaelic Athletic Association in 1884. Founded by Fr. John Rock, the club has played a central role in the sporting, cultural, and social life of Cookstown for over a century.

With a membership of approximately 700 individuals including adult and youth members both male and female the club represents a diverse and growing community. Since its formation, Cookstown Fr. Rock's GAC has acted as a focal point for Gaelic games and community engagement within the area.

“

A major upgrade like this could have been challenging, but working with BELL Lighting, CEW, and AM Electrics made it a seamless and very positive experience for everyone at Cookstown Fr. Rock's GAC. Our previous lights simply weren't fit for purpose for competitive games and were becoming increasingly expensive to run and maintain. The difference now is huge the clarity and uniformity of the new lighting at Paddy Cullen Park has completely transformed the playing environment, while significantly reducing our running costs.

It's also a big step forward in our sustainability journey. The reduced energy usage and lower carbon emissions align perfectly with our commitment to the GAA Green Club initiative. With strong warranties in place, we're confident this investment will support our players and community for many years to come.

”

**Nicky Doris, Fr. Rock's GAA**

## Gaelic Athletic Association

Fully compliant to approved lighting levels standards



## SkylinePowertron



- Black powder coated C5-H Marine Grade, suitable for coastal areas & harsh environments
- 600W/1200W/1800W Modular Body Design
- Ideal for external sports lighting facilities

### Case Study: Fr. Rock's GAA, BELL Powertron

Over the life of the fittings, FR Rock's GAA could save: £75,970 in energy costs, energy saving 45%

- Annual Energy Saving 21,706 kWh
- Annual CO<sub>2</sub> Saving 4,325 kg

## Castlebar Celtic FC

Castlebar Celtic FC was founded in 1924, with the club operating as an Irish Association football club which plays out of the Mayo Association Football League.

With over 100 years of history, Castlebar Celtic is a club which we are proud to have a partnership with thanks to a recent BELL Lighting installation at the side's Pavilion Road Astro Turf site.

We illuminated the site using 4x 1200W Skyline Powertron LED Floodlights with shallow shield attachments; our products were mounted to the existing 12m columns with minimal glare and horizontal spillage thanks to the quality of our design.

“

Upgrading to BELL Sports Lighting has completely transformed our facility.

The pitch now has incredibly consistent illumination, and our members immediately noticed the improvement. We're saving a substantial amount on our monthly energy bills, which is a major benefit for the club.

It's also reassuring to know that the system is helping us reduce our carbon footprint. Throughout the entire process, the team at BELL were supportive, responsive, and genuinely helpful. Their professionalism made the project run smoothly from start to finish, and the long warranties give us confidence that we've invested in a reliable, long-term solution.

”

**Castlebar Celtic FC**

## Football Association Ireland

Fully compliant to approved lighting levels standards



## skylinepowertron



- Black powder coated C5-H Marine Grade, suitable for coastal areas & harsh environments
- 600W/1200W/1800W Modular Body Design
- Ideal for external sports lighting facilities

### Case Study: Castlebar Celtic FC, BELL Powertron

Over the life of the fitting, Castlebar Celtic FC could save: €34,102 in energy costs, energy saving 45%

- Annual Energy Saving 8,568 kWh
- Annual CO<sub>2</sub> Saving 1,597 kg